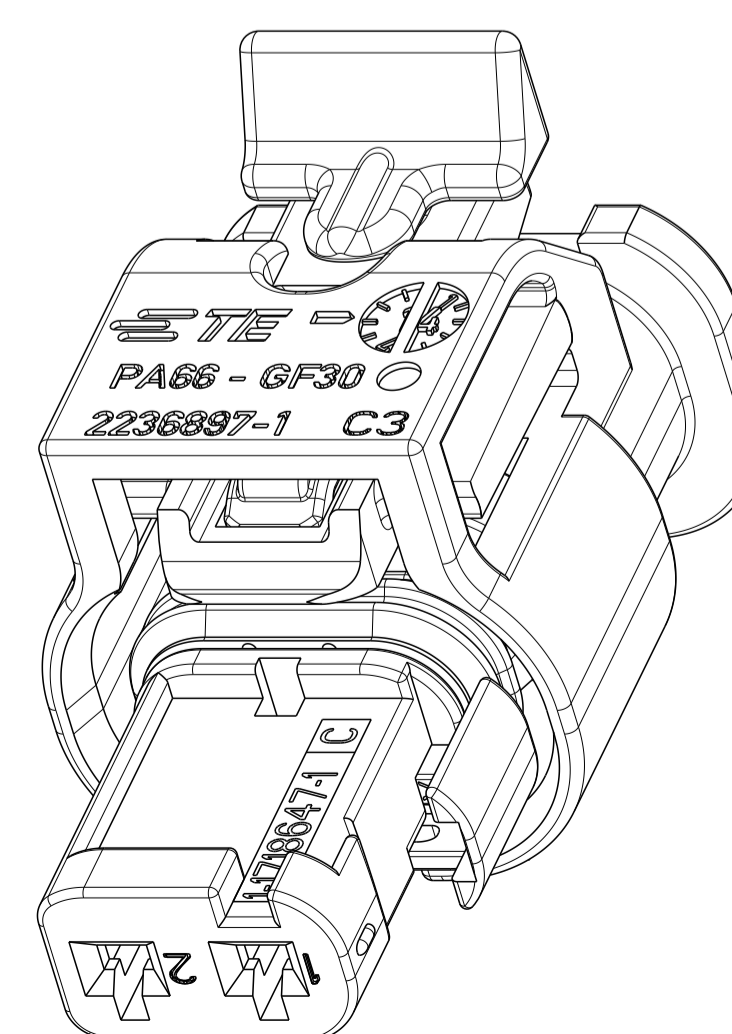
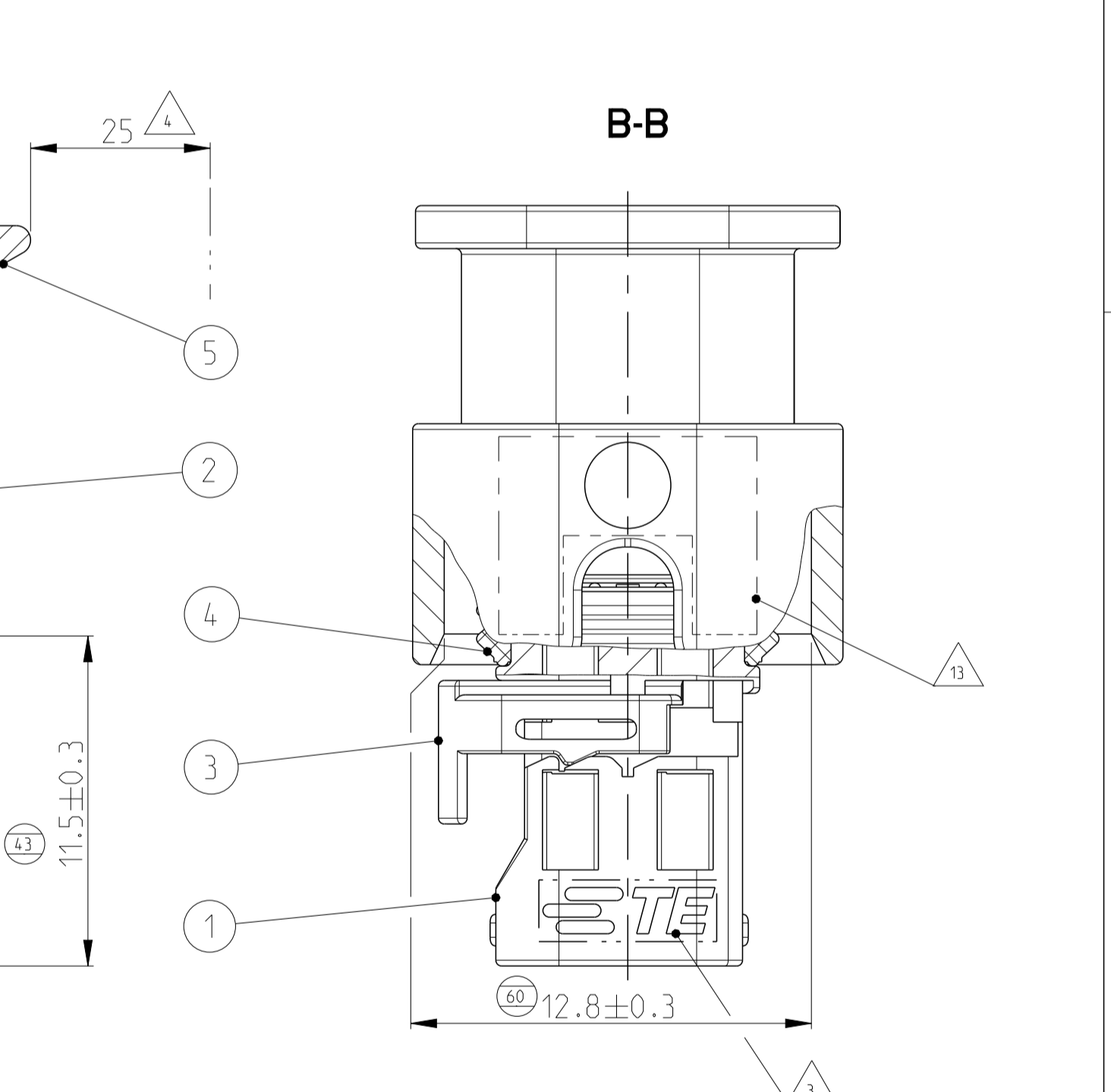
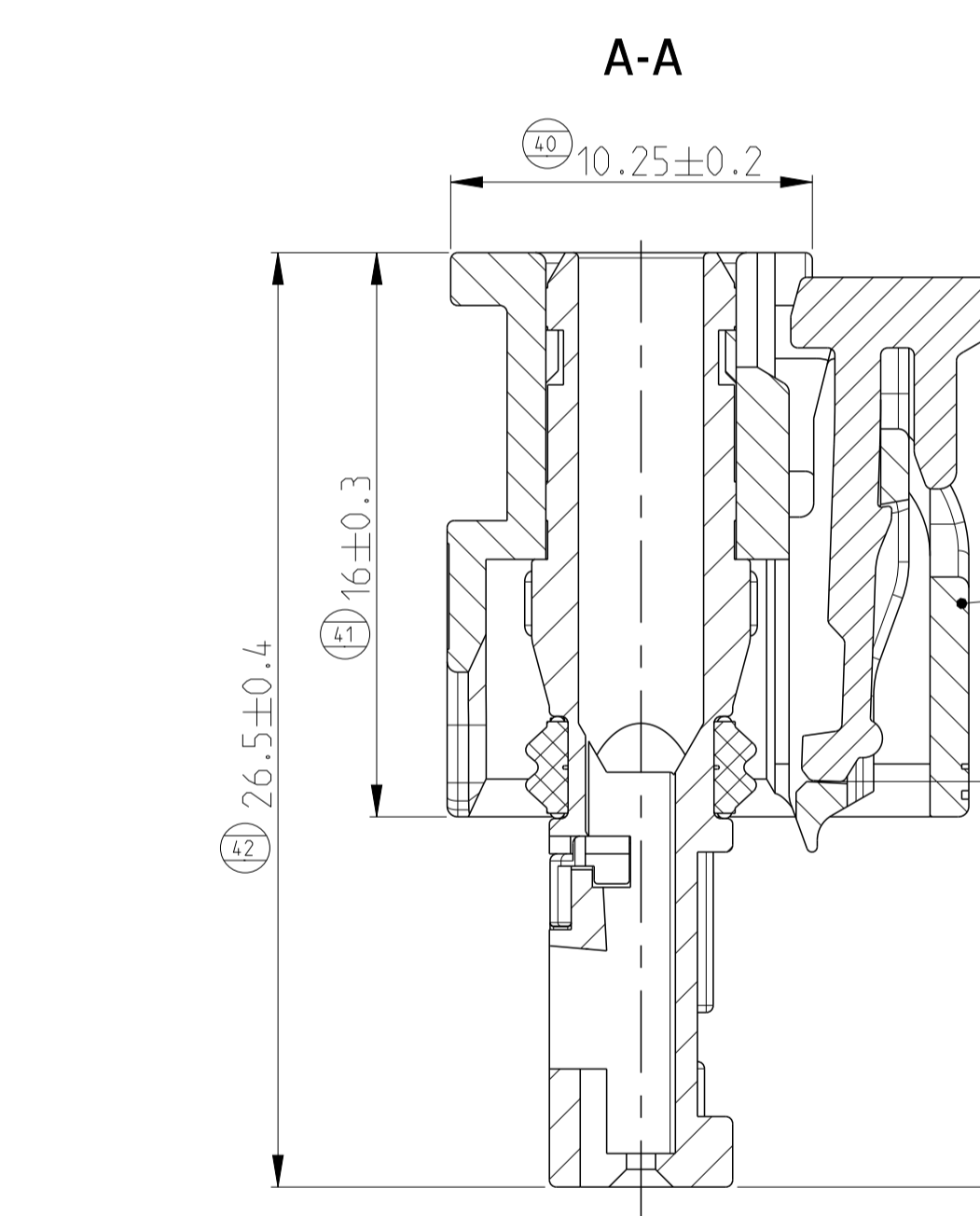
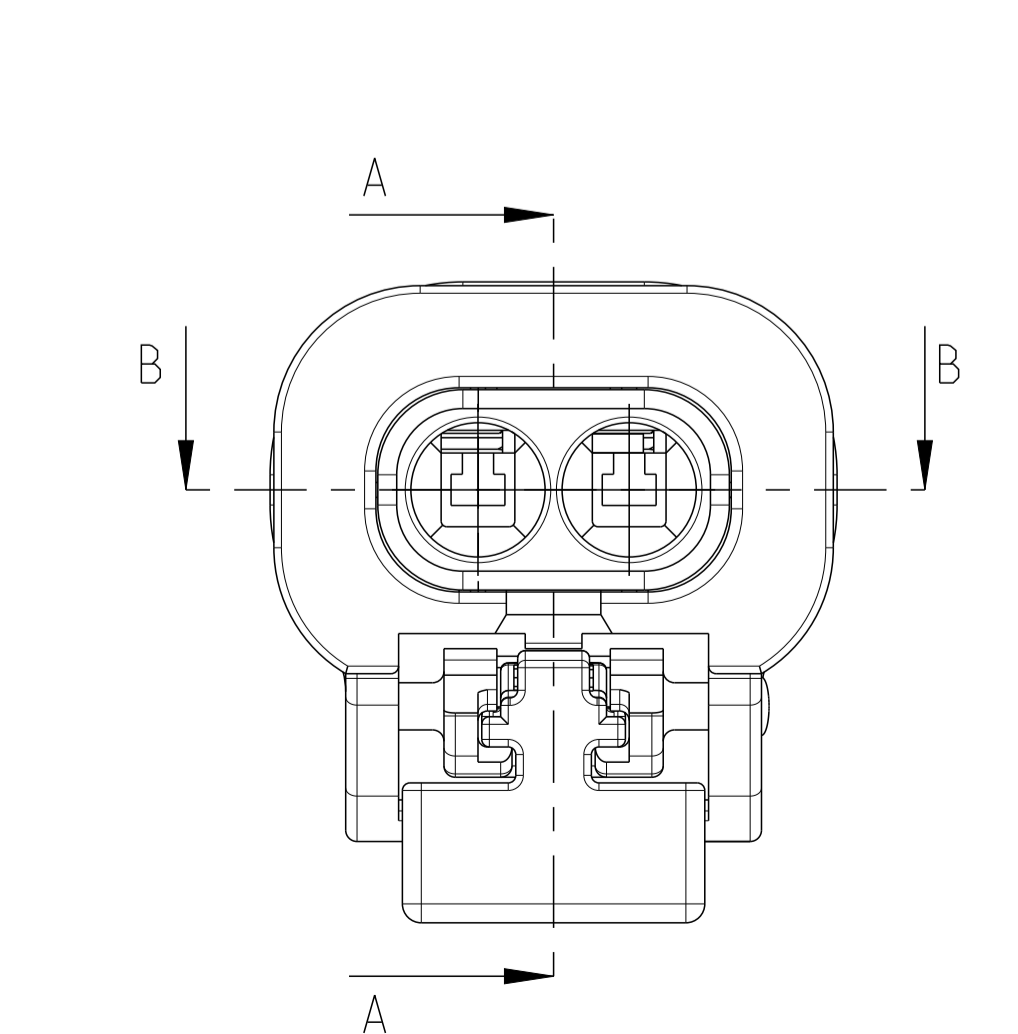
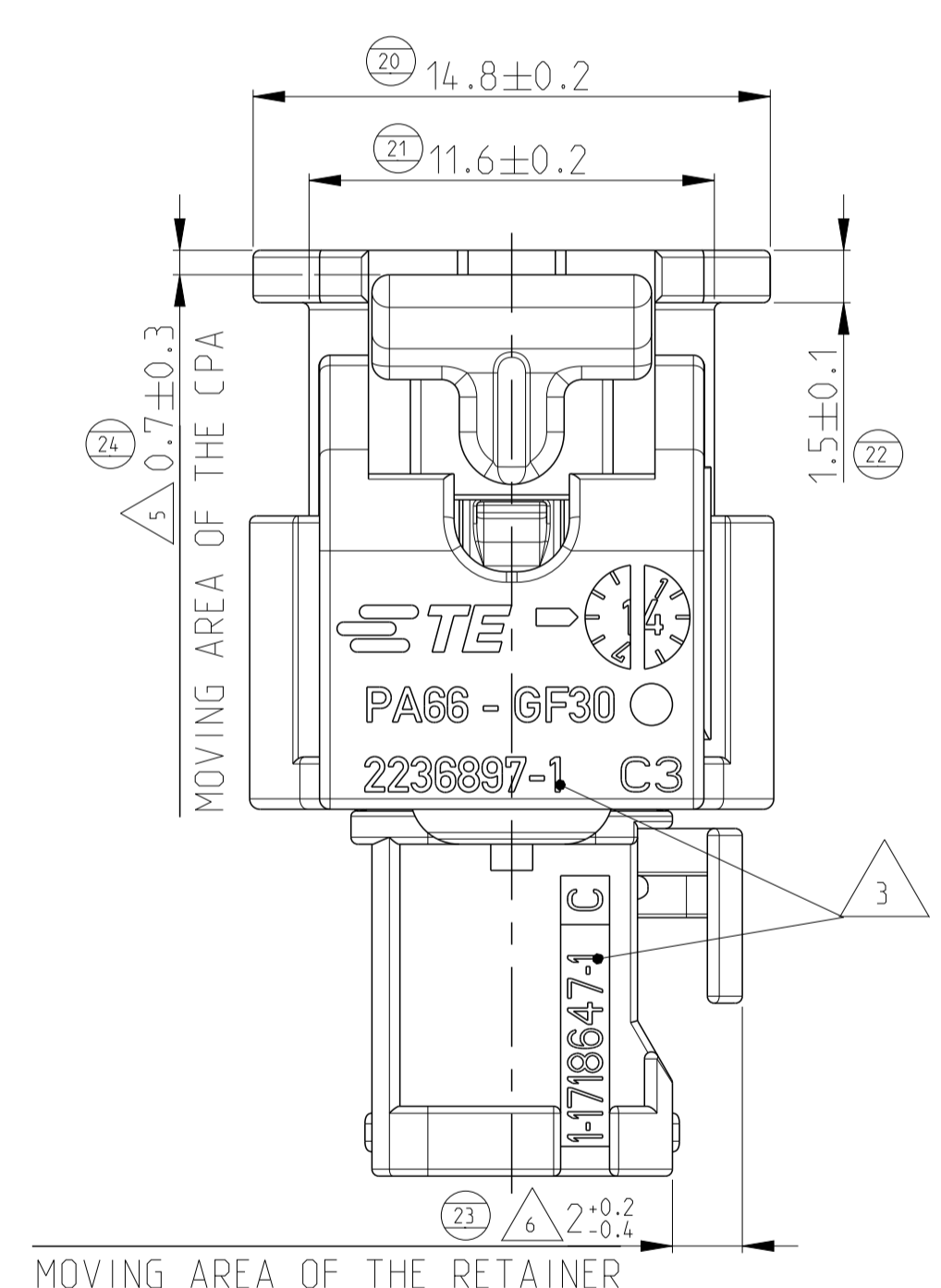
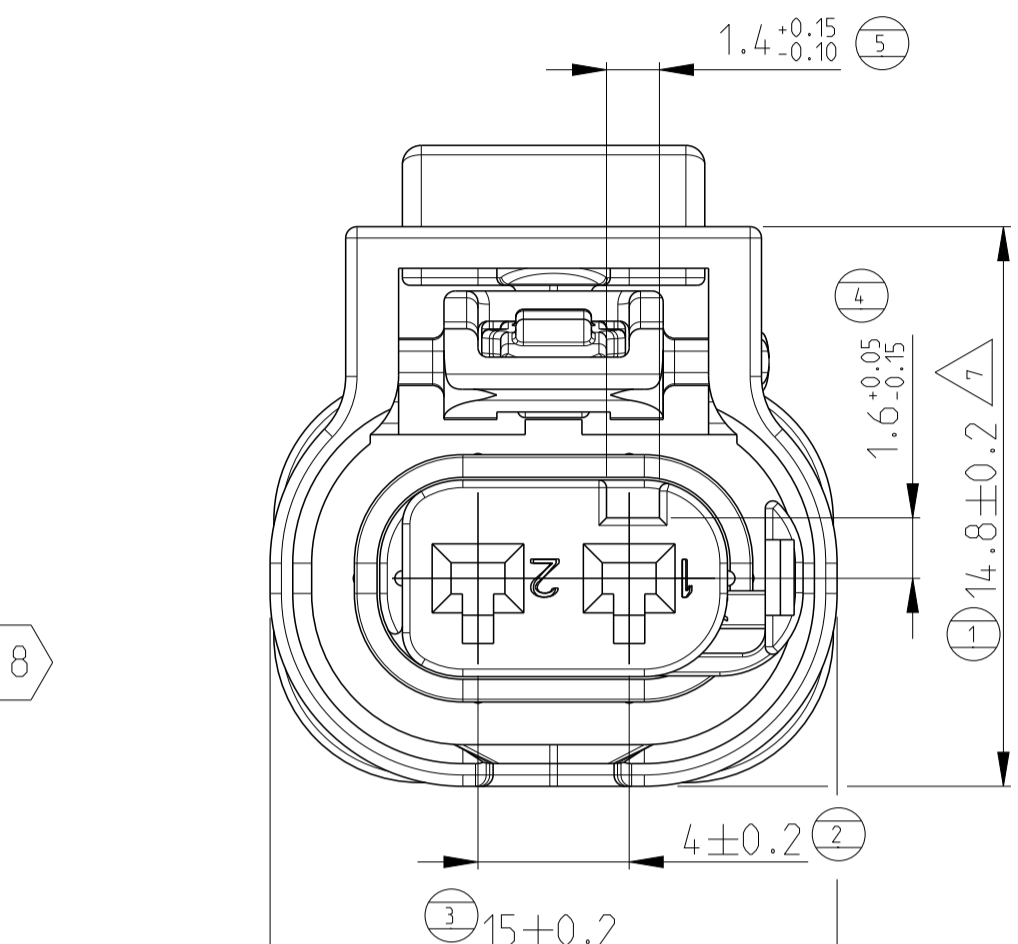


REVISIONS				
P.	LTN.	DESCRIPTION	DATE	DWN. APVD.
C6		UPDATED PRODUCT SPEC AND DRAWING TITLE	23JAN2017	VH LSZ
C7		ADDITIONAL VERSION	08JUN2017	RT SZG
C8		BOM COLOR CORRECTION	09NOV2017	GK RT
C9		ADDITIONAL INFO ON WIRE CROSSSECTION	29AUG2019	SZN LSZ

- USABLE CONTACTS MCON 1.2
SEE TE Connectivity -NO. 1452674, VERSION SINGLE WIRE SEAL
- MAX. WIRE SIZE RANGE 1.5 mm² FLR PERMITTED FOR CAVITY-Ø 3.55MM
QUANTITY SEE WIRE HARNESS DRAWING
FOR PERMISSIBLE CURRENT CARRYING CAPACITY OF THE SINGLE CONTACT
SEE PRODUCT SPECIFICATION NO.108-18782
- SUPPLIER-MARK
- SPACE OF ACTIVITY
- SUPPLY CONDITION: CPA IN PRELOCKED POSITION
- SUPPLY CONDITION: RETAINER IN PRELOCKED POSITION
- WARPAGE PERMITTED TO MAX. -0.5mm
- TE Connectivity ORDER-NO.
- ACCORDING TO INTERFACE DRAWING SEE TE-NO. 114-18679-3
- ASSEMBLY LINE SEGMENT IDENTIFICATION
- DATE CODE (DDYY)
- VERSION WITH 180° TURNED INNER HSG.
- AREA FOR PRINT
- VERSION WITHOUT CPA

CODING A AS SHOWN

TE-ORDER-NO.	COD	DESCRIPTION	REV	QTY	DESCRIPTION	MATERIAL	SURFACE/COLOR	ITEM
4-2236896-3	D	2pos. MCON 1.2 - LL Connector Sealed	C	1	2pos. MCON 1.2 - Seal	SILICONE RUBBER	GREEN	4
				1	2pos. MCON 1.2 - Retainer	PA66-GF15	VIOLETT - SIMILAR TO RAL 4006	3
				1	2pos. MCON 1.2 - Protec. Cover	PA66-GF30	BLACK - SIMILAR TO RAL 9011	2
				1	2pos. MCON 1.2 - Rec. Housing	PA66-GF30	VIOLETT - SIMILAR TO RAL 4004	1
5-2236896-5	E	2pos. MCON 1.2 - LL Connector Sealed	A	1	CPA. MCON 1.2	PBT GF33	RED	5
				1	2pos. MCON 1.2 - Seal	SILICONE RUBBER	GREEN	4
				1	2pos. MCON 1.2 - Retainer	PA66-GF15	VIOLETT - SIMILAR TO RAL 4006	3
				1	2pos. MCON 1.2 - Protec. Cover	PA66-GF30	BLACK - SIMILAR TO RAL 9011	2
4-2236896-5	D	2pos. MCON 1.2 - LL Connector Sealed	A	1	2pos. MCON 1.2 - Rec. Housing	PA66-GF30	GREEN	1
				1	CPA. MCON 1.2	PBT GF33	RED	5
				1	2pos. MCON 1.2 - Seal	SILICONE RUBBER	GREEN	4
				1	2pos. MCON 1.2 - Retainer	PA66-GF15	VIOLETT - SIMILAR TO RAL 4006	3
4-2236896-1	D	2pos. MCON 1.2 - LL Connector Sealed	A	1	2pos. MCON 1.2 - Protec. Cover	PA66-GF30	BLACK - SIMILAR TO RAL 9011	2
				1	2pos. MCON 1.2 - Rec. Housing	PA66-GF30	VIOLETT - SIMILAR TO RAL 4004	1
				1	2pos. MCON 1.2 - Seal	SILICONE RUBBER	GREEN	4
				1	2pos. MCON 1.2 - Retainer	PA66-GF15	VIOLETT - SIMILAR TO RAL 4006	3
3-2236896-5	C	2pos. MCON 1.2 - LL Connector Sealed	C	1	2pos. MCON 1.2 - Protec. Cover	PA66-GF30	BLACK - SIMILAR TO RAL 9011	2
				1	2pos. MCON 1.2 - Rec. Housing	PA66-GF30	BLUE - SIMILAR TO RAL5012	1
				1	CPA. MCON 1.2	PBT GF33	RED	5
				1	2pos. MCON 1.2 - Seal	SILICONE RUBBER	GREEN	4
2-2236896-5	B	2pos. MCON 1.2 - LL Connector Sealed	C	1	2pos. MCON 1.2 - Retainer	PA66-GF15	VIOLETT - SIMILAR TO RAL 4006	3
				1	2pos. MCON 1.2 - Protec. Cover	PA66-GF30	BLACK - SIMILAR TO RAL 9011	2
				1	2pos. MCON 1.2 - Rec. Housing	PA66-GF30	NATURE	1
				1	CPA. MCON 1.2	PBT GF33	RED	5
1-2236896-5	A	2pos. MCON 1.2 - LL Connector Sealed	C	1	2pos. MCON 1.2 - Seal	SILICONE RUBBER	GREEN	4
				1	2pos. MCON 1.2 - Retainer	PA66-GF15	VIOLETT - SIMILAR TO RAL 4006	3
				1	2pos. MCON 1.2 - Protec. Cover	PA66-GF30	BLACK - SIMILAR TO RAL 9011	2
				1	2pos. MCON 1.2 - Rec. Housing	PA66-GF30	BLACK - SIMILAR TO RAL 9011	1
1-2236896-3	A	2pos. MCON 1.2 - LL Connector Sealed	A	1	2pos. MCON 1.2 - Seal	SILICONE RUBBER	GREEN	4
				1	2pos. MCON 1.2 - Retainer	PA66-GF15	VIOLETT - SIMILAR TO RAL 4006	3
				1	2pos. MCON 1.2 - Protec. Cover	PA66-GF30	BLACK - SIMILAR TO RAL 9011	2
				1	2pos. MCON 1.2 - Rec. Housing	PA66-GF30	BLACK - SIMILAR TO RAL 9011	1
3-2236896-1	C	2pos. MCON 1.2 - LL Connector Sealed	C	1	2pos. MCON 1.2 - Seal	SILICONE RUBBER	GREEN	4
				1	2pos. MCON 1.2 - Retainer	PA66-GF15	VIOLETT - SIMILAR TO RAL 4006	3
				1	2pos. MCON 1.2 - Protec. Cover	PA66-GF30	BLACK - SIMILAR TO RAL 9011	2
				1	2pos. MCON 1.2 - Rec. Housing	PA66-GF30	BLUE - SIMILAR TO RAL5012	1
2-2236896-1	B	2pos. MCON 1.2 - LL Connector Sealed	C	1	2pos. MCON 1.2 - Seal	SILICONE RUBBER	GREEN	4
				1	2pos. MCON 1.2 - Retainer	PA66-GF15	VIOLETT - SIMILAR TO RAL 4006	3
				1	2pos. MCON 1.2 - Protec. Cover	PA66-GF30	BLACK - SIMILAR TO RAL 9011	2
				1	2pos. MCON 1.2 - Rec. Housing	PA66-GF30	NATURE	1
1-2236896-1	A	2pos. MCON 1.2 - LL Connector Sealed	C	1	2pos. MCON 1.2 - Seal	SILICONE RUBBER	GREEN	4
				1	2pos. MCON 1.2 - Retainer	PA66-GF15	VIOLETT - SIMILAR TO RAL 4006	3
				1	2pos. MCON 1.2 - Protec. Cover	PA66-GF30	BLACK - SIMILAR TO RAL 9011	2
				1	2pos. MCON 1.2 - Rec. Housing	PA66-GF30	BLACK - SIMILAR TO RAL 9011	1



TOLERANCES UNLESS OTHERWISE SPECIFIED ACC. TO DIN 16901-140. CENTRIC TO NOMINAL DIMENSION, EDITION 1982-11. SHALL APPLY. Feinmaßstabnormen nach DIN 16901-140. Es gilt die Ausgabe 1982-11.

PRODUCT CHARACTERISTICS ACC. GMP_EMEA_012
BESONDERE MERKMALE NACH GMP_EMEA_012

THIS DRAWING IS A CONTROLLED DOCUMENT.

DIMENSIONS:	TOLERANCES UNLESS OTHERWISE SPECIFIED	DATE	30JAN2014
mm	0 PLC ±	DRN	Sz_Nemes
	1 PLC ±	CHK	G.Benczur
	2 PLC ±	APPD	G.Benczur
	3 PLC ±	DATE	30JAN2014
	4 PLC ±	NAME	MCON 1.2mm 2pos Sealed Connector
	ANGLES	PRODUCT SPEC	108-18969-3
		APPLICATION SPEC	114-18861
MATERIAL		WEIGHT	
		SIZE	A1
		CAGE CODE	00779
		DRAWING NO	C=2236896
		RESTRICTED TO	
		CUSTOMER DRAWING	

STE TE Connectivity	
DATE	30JAN2014
NAME	MCON 1.2mm 2pos Sealed Connector
PRODUCT SPEC	108-18969-3
APPLICATION SPEC	114-18861
WEIGHT	
SIZE	A1
CAGE CODE	00779
DRAWING NO	C=2236896
RESTRICTED TO	
SCALE	4:1
SHEET	1 OF 1
REV	C9

Mouser Electronics

Authorized Distributor

Click to View Pricing, Inventory, Delivery & Lifecycle Information:

[TE Connectivity:](#)

[1-2236896-1](#)